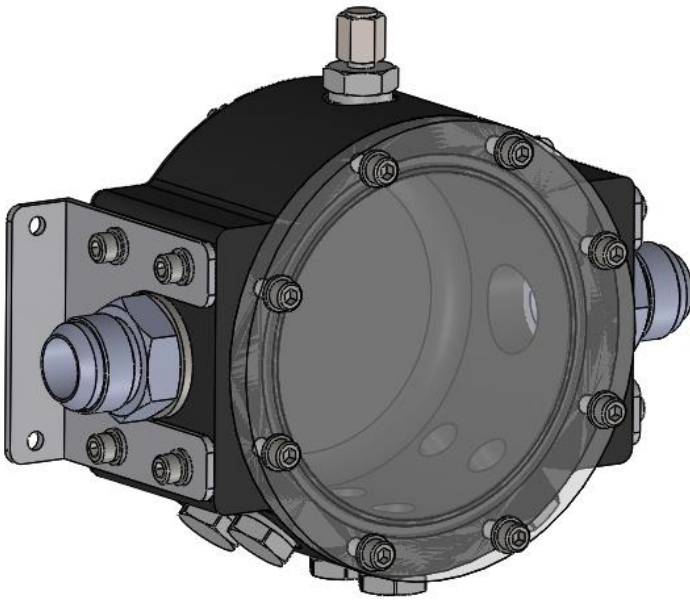


DragonROV

Intelligent Subsea Equipment



The air bleed/return manifold allows connection of multiple return lines to the system reservoir, while providing a natural high point for air within the system to naturally accumulate when oil flow is static. A clear front screen allows any trapped air pocket to be easily seen and vented.

Air bleed & Return manifold

MAIN FEATURES

- Lightweight Acetal construction
- Clear front screen
- Defined Air bleed point
- Versatile mounting points

Further Information

Advanced spares kits also available

Equipment supplied

Standard tool supply includes

- Manifold Assembly
- Operating Manual
- Basic Spares



info@DragonROV.com